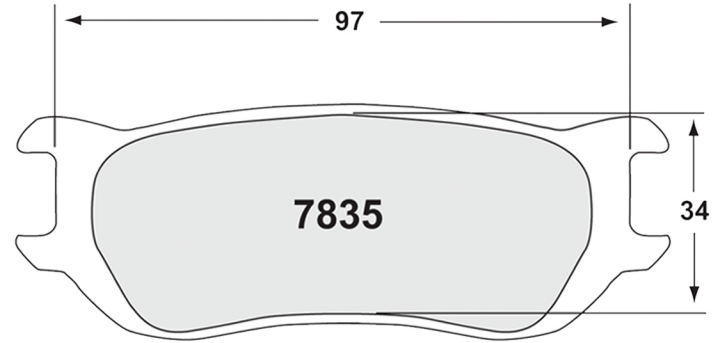


ZR24 CALIPER SPECS

Pad Shape	Thickness (mm)	Radial Depth (mm)	Caliper
7835	18	34	24

Additional Parts	Part Numbers
Bleed Screw Kit	900.900.104.01
Bleed Screw Insert Kit	900.900.104.02
Seal Kit (255/290 Pistons)	900.900.100.28
Piston Kit (255/290 Pistons)	900.900.103.24
Radial Mount Bracket	120.109.237.01
Radial Mount (Top Only) Bracket	120.040.451.01



ZR24 CALIPER SPECS

Description

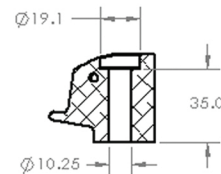
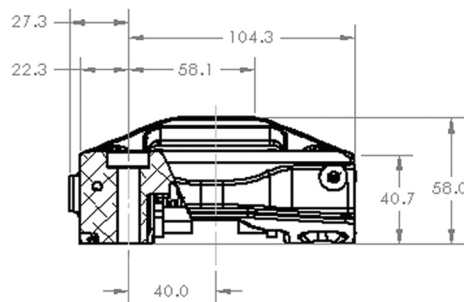
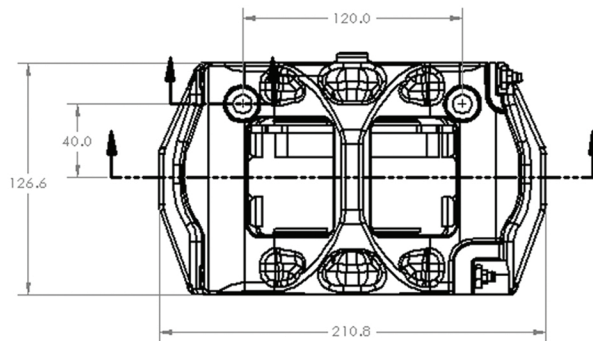
Dimensions/Weights

Mount Dim. (mm)	120 x 40
Piston Sizes (mm)	25.5 / 29.0
Piston Area Per Side (mm ²)	1171.22
Max Disc Dia (mm)	284
Max Disc Thickness (mm)	20
Min Disc Thickness (mm)	18
Max Pad Thickness	18
Fluid Capacity (cm ³)	32.3
Max Operating Pressure	103 bar / 1500 psi
Pad Shape	7835, 7827, 7943, 7878
Pad Area Per Side (cm ²)	28.13, 30.64
Caliper Weight	1.27kg / 2.8lbs

Description

Part Number

Leading Left	24.284.255.290.01A
Leading Right	24.284.255.290.02A
Trailing Left	24.284.255.290.11A
Trailing Right	24.284.255.290.12A



Stud Diameter
Min Locating $\varnothing 9.975\text{mm}$
Max $\varnothing 10.025\text{mm}$